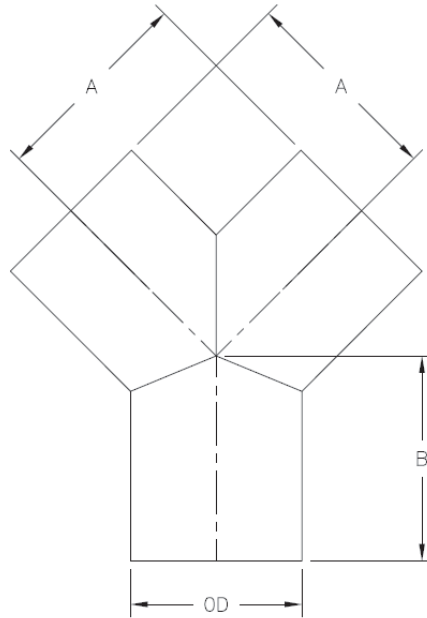
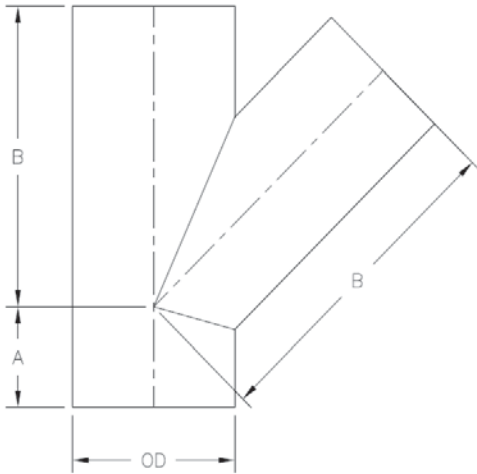


Standard Dimensions



45° LATERALS

PIPE SIZE	OD	A	B
1	1.315	1.75	5.75
1.5	1.900	2.00	7.00
2	2.375	2.50	8.00
2.5	2.875	2.50	9.50
3	3.500	3.00	10.00
4	4.500	3.00	12.00
5	5.563	3.50	13.50
6	6.625	3.50	14.50
8	8.625	4.50	17.50
10	10.750	5.00	20.50

WYES

PIPE SIZE	OD	A	B
1	1.315	2.88	1.75
1.5	1.900	3.38	2.00
2	2.380	4.00	2.50
2.5	2.880	4.63	2.50
3	3.500	5.50	3.00
4	4.500	6.50	3.00
5	5.563	7.50	3.50
6	6.625	8.00	3.50
8	8.625	9.00	4.50
10	10.750	11.00	5.00

We will make Wyes and Laterals to any dimension